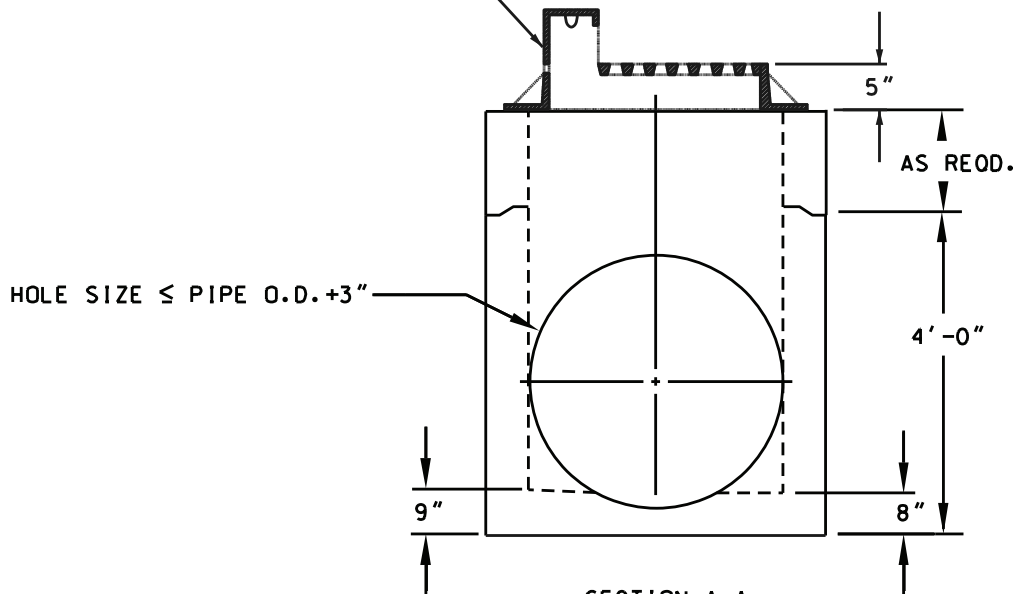


PLAN VIEW

24" X 24" CURB FRAME & GRATE  
POURED INTO GUTTERLINE & CURB  
BY CONTRACTOR



SECTION A-A

**GENERAL NOTES:**

1. Steel reinf. & concrete strenght per ASTM C913
2. Hole size \* pipe O.D. +3"
3. 8" walls
4. Base slab (8") thick may be increased to accept larger pipe
5. Conforms to KDOH std. drawing No. RDB-320-05



PH\* 1-800-737-0707

DWG# SRS-580

DATE: 09/12/08

SHEET# 1 OF 1

CURB BOX INLET TYPE F

SCALE: NTS