



CONCRETE PRESSURE PIPE (AWWA C301L)



FACTS



GROUNDING IN STRENGTH

Concrete and steel – cooperating well even when workloads aren't.

In Prestressed Concrete Lined Cylinder Pipe (C301L), prestressing is achieved by helically wrapping, under measured tension and at uniform spacing, a high tensile strength wire around the concrete-lined steel cylinder. This wire wrap places the steel cylinder and concrete core in compression, developing the pipe's ability to withstand specified hydrostatic pressures and external loads without great reliance on the bedding and backfill material.

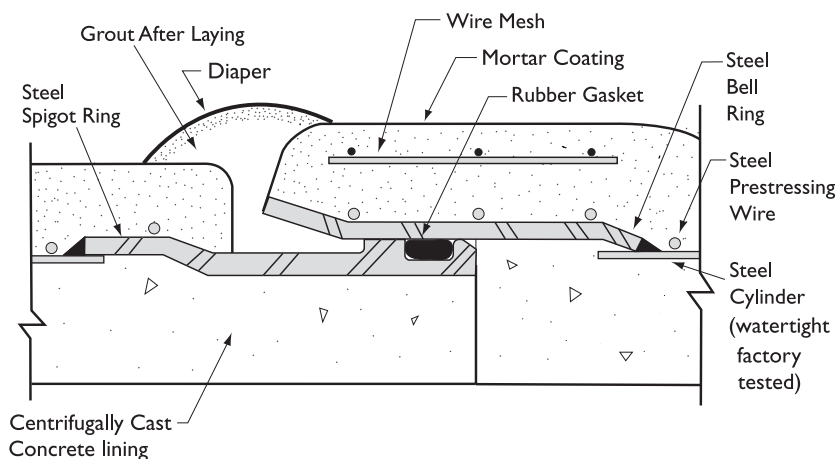
CPP is the only pressure pipe material considered a rigid pipe by design. What this means is that up to 95% of the structure comes with the pipe, not the bedding and backfill constructed on-site.

- Total pipeline solutions – all pipe, fittings, restrainers and accessories come from one source
- Most rugged and toughest pipe available for the water and wastewater industry
- 3rd Party certified – including annual audits of all manufacturing facilities
- Integrated steel wire/cement rich mortar coating for additional strength and bond capacity
- Designed as a Rigid Structure – up to 95% of strength comes with the pipe
- Excellent corrosion inhibiting properties – not a barrier coating; but a true embedment and passivation of the metal components including restrainers and accessories
- A range of available joint configurations fabricated with the pipe

AWWA C301L Pipe Data Sheet				
Pipe Dia. (mm)	Actual Pipe I.D. (mm)	Bell O.D. (mm)	Standard Lay Length (m)	Approx. Weight (kg/m)
600	610	800	7.315	375
750	762	972	7.315	560
900	914	1143	7.315	710
1050	1067	1302	7.315	970
1200	1219	1473	7.315	1225
1350	1372	1667	6.096	1450
1500	1524	1838	6.096	1640

C301L in diameters from 400mm to 500mm are available upon request.

**Typical Joint
Prestressed Lined Cylinder Pipe (LCP)**



Forterra Pressure Pipe - Canada
Stouffville, Ontario
Uxbridge, Ontario
St. Eustache, Quebec

Ontario & Western Canada
 888.497.7660
Quebec & Maritimes Region
 888.497.7371



**Guiding Our Greatest
Resource... Since 1926**