



CONCRETE PRESSURE PIPE (AWWA C303)



FACTS



GROUNDING IN STRENGTH

We focus on meeting AWWA C303 standards, while exceeding yours.

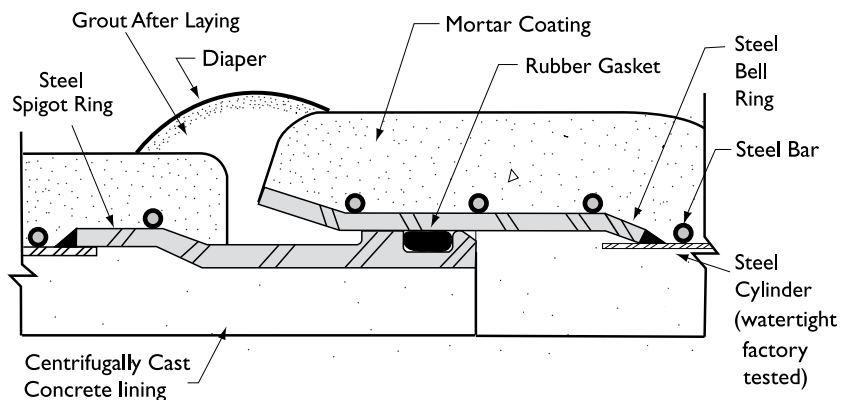
Forterra's Bar-Wrapped Pipe combines the physical strength of steel with the structural and protective properties of high strength cement concrete and mortar. A round, mild steel bar is helically wound around the steel cylinder and all surfaces are encased in cement mortar. This composite pipe reacts as a unit when resisting internal pressure and external loads.

- Designed as a semi-rigid structure
- Less stringent bedding requirement than flexible pipe
- Total pipeline solutions - all pipe, fittings, restrainers and accessories come from one source
- Larger Hydraulic capacity/internal dimensions for diameters 600mm through 1500mm
- C301/C303 joint ring compatibility for diameters 600mm through 1500mm
- Integrated steel bar/cement mortar coating for additional structure strength and bond capacity
- Lightest available concrete pressure pipe with a weight reduction of up to 35% (dependent on diameter)
- Weld flexibility on-site
- A range of available joint configurations fabricated with the pipe

AWWA C303 Pipe Data Sheet				
Pipe Dia. (mm)	Actual Pipe I.D. (mm)	Bell O.D. (mm)	Standard Lay Length (m)	Approx. Weight (kg/m)
350	356	465	7.315	145
400	406	515	7.315	169
450	457	575	7.315	209
500	508	625	7.315	236
600	644	765	7.315	311
750	814	935	7.315	410
900	985	1105	7.315	514
1050	1155	1270	7.315	659
1200	1325	1435	7.315	787
1350	1496	1610	7.315	958
1500	1670	1838	6.096	1100

PRESCON Pipe available in diameters from 350 to 500mm only.

Typical Joint Bar-Wrapped Concrete Cylinder Pipe (C303)



Forterra Pressure Pipe - Canada
 Stouffville, Ontario
 Uxbridge, Ontario
 St. Eustache, Quebec

Ontario & Western Canada
 888.497.7660
Quebec & Maritimes Region
 888.497.7371



Guiding Our Greatest Resource... Since 1926