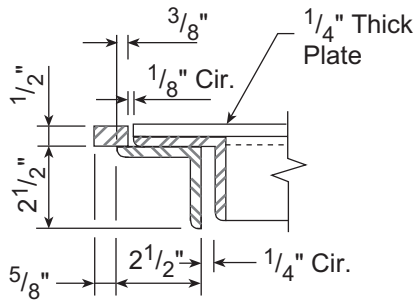
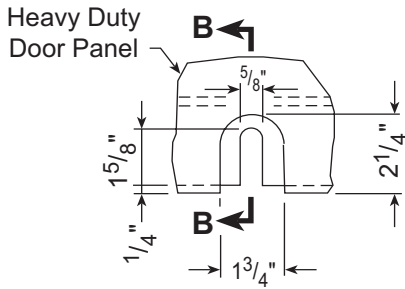


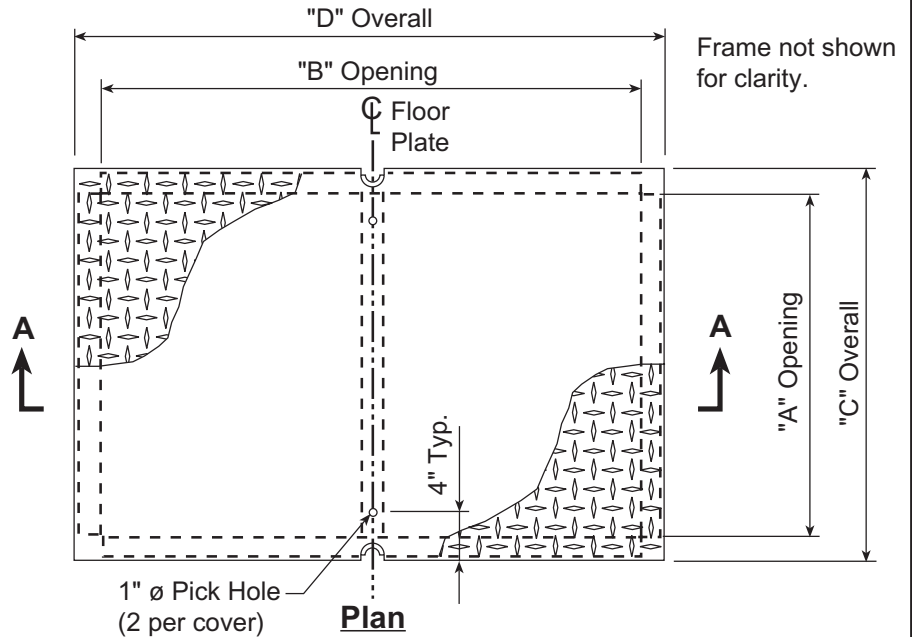
# Precast Electrical Manholes



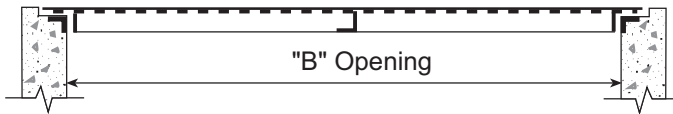
**Cover/Frame Section Detail**



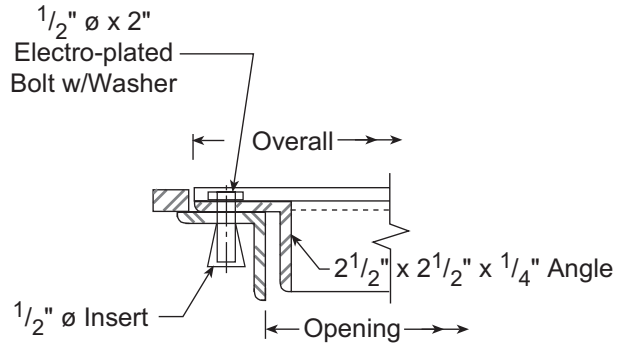
**Bolt-Down Detail**



**Plan**



**Section A-A**



**Section B-B**

**Specification:**

The one-piece frame and cover provided by Forterra shall have a heavy duty prime painted A-36 steel door panel with a 2 1/2" x 2 1/2" x 1/4" angle continuous bearing seat.

Steel door panel shall be diamond plate designed to withstand pedestrian loading, 250 psf loading.

Each panel shall have (2) 5/8" slots to accept a 2 - 1/2" diameter x 2" long recessed steel bolt and (2) 1" dia. pick holes.

**Standard Features:**

- 250 psf pedestrian load rating
- Lockable (bolt-down) recessed hardware
- Diamond plate slip resistant cover
- 1" diameter pick holes for lifting
- Bead welded lettering as required

**Optional Features:**

- 1/2" diameter recessed drop handle
- Hinged doors
- Penta head bolts
- Galvanizing

**Standard Covers:**

Size (in.)	Dimensions (in.)				Unit Wt. (lbs.)
	A	B	C	D	
16 x 24	16	24	20	28	
18 x 18	18	18	22	22	
24 x 24	24	24	28	28	
24 x 36	24	36	28	40	
36 x 36	36	36	40	40	