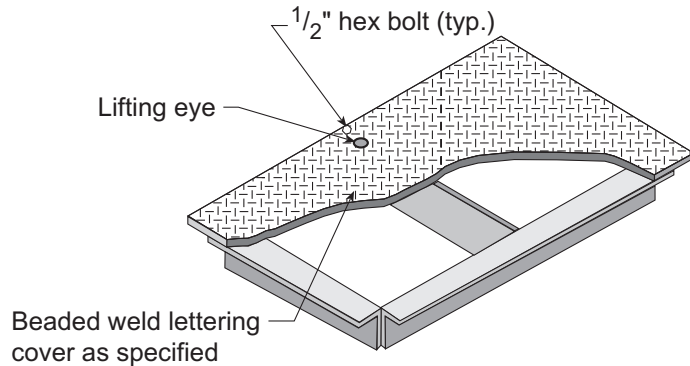
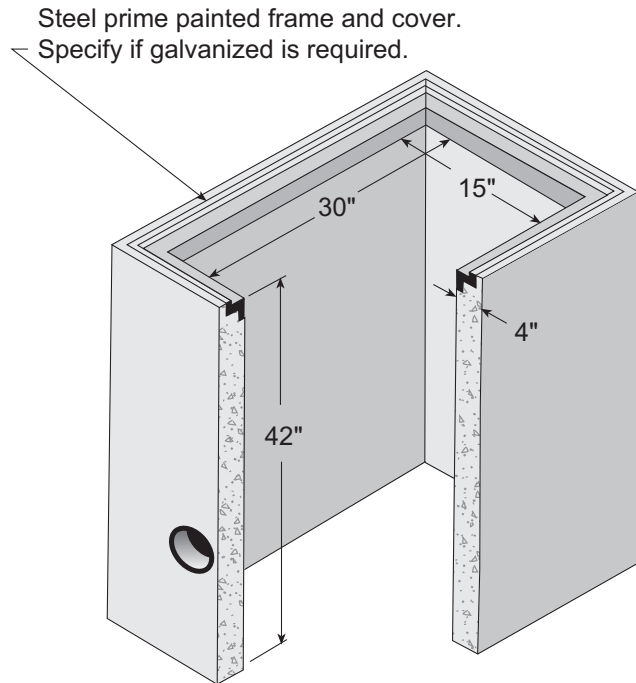


Precast Electrical Pull Boxes



Steel Cover
(Specify cover type.)



General Notes:

- Design in accordance with ACI 318, AASHTO current edition and ASTM C857 where applicable.
- Concrete structure design for HS-20-44 loading. Specify load rating for cover.
- Pull Box to be placed on 6" base of gravel for even load distribution and ease of installation.
- MIN EXCAVATION
2' - 3" x 4' - 6" x Depth Required.
- Weights

Designation	Depth	Weight (Lbs.)
W1530-12	12"	705
W1530-24	24"	1,405
W1530-30	30"	1,725
W1530-36	36"	2,110
W1530-42	42"	2,485

Materials

- CONCRETE: 5,500 PSI, 28 day compressive strength..
- STEEL: 60,000 psi yield strength ASTM A-615 Reinforcing Steel.
- Pull eyes, grounding rod hole & inserts for cable rocks as req'd.

-No Scale-
All dimensions subject to allowable specification tolerances.

TITLE	SECTION.PAGE	DATE
1' - 3" x 2' - 6" Pull Box w/6" Walls (W1530)	2.46	10/21/10

