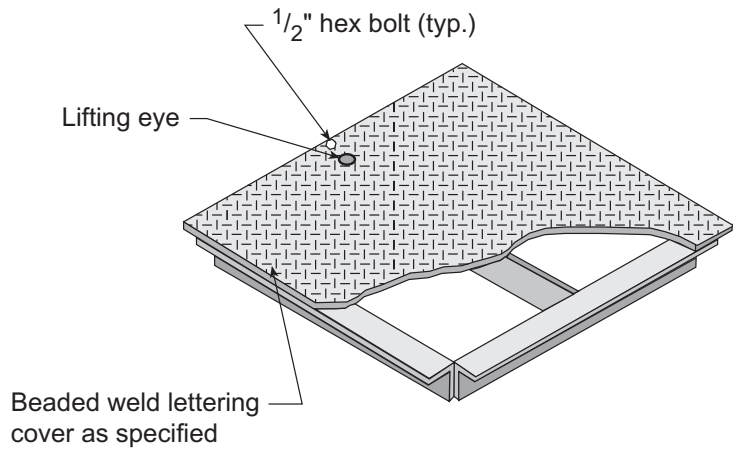
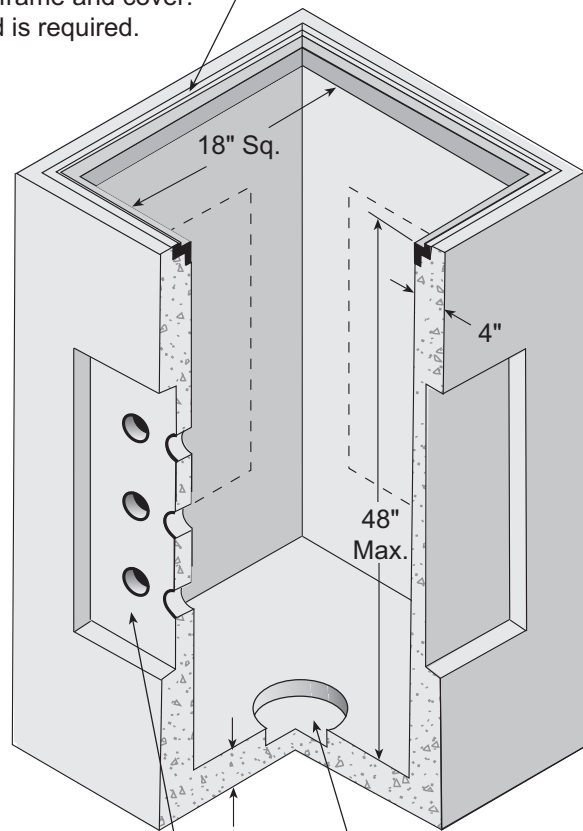


Precast Electrical Pull Boxes



Steel Cover
(Specify cover type.)
Approx. Wt. = 76 Lbs.

Steel prime painted frame and cover.
Specify if galvanized is required.



Duct terminators, knockouts or blockouts provided as required. Optional sump

General Notes:

- Design in accordance with ACI 318, AASHTO current edition and ASTM C857 where applicable.
- Concrete structure design for HS-20-44 loading. Specify load rating for cover.
- Pull Box available with or without floor. W denotes without floor.
- Pull Box to be placed on 6" base of gravel for even load distribution and ease of installation.
- MIN EXCAVATION
3' - 6" x 3' - 6" x Depth Required.
- Weights

Designation	Depth	Weight (Lbs.)
PB1818-24	24"	970
PB1818-30	30"	1,155
PB1818-36	36"	1,340
PB1818-42	42"	1,525
PB1818-48	48"	1,710

Materials

- CONCRETE: 5,500 PSI, 28 day compressive strength.
- STEEL: 60,000 psi yield strength ASTM A-615 Reinforcing Steel.
- Pull eyes, grounding rod hole & inserts for cable rocks as req'd.

-No Scale-
All dimensions subject to allowable specification tolerances.

TITLE	SECTION.PAGE	DATE
1' - 6" x 1' - 6" x 1' to 4' Pull Box w/4" Walls (PB1818)	2.37	10/21/10

