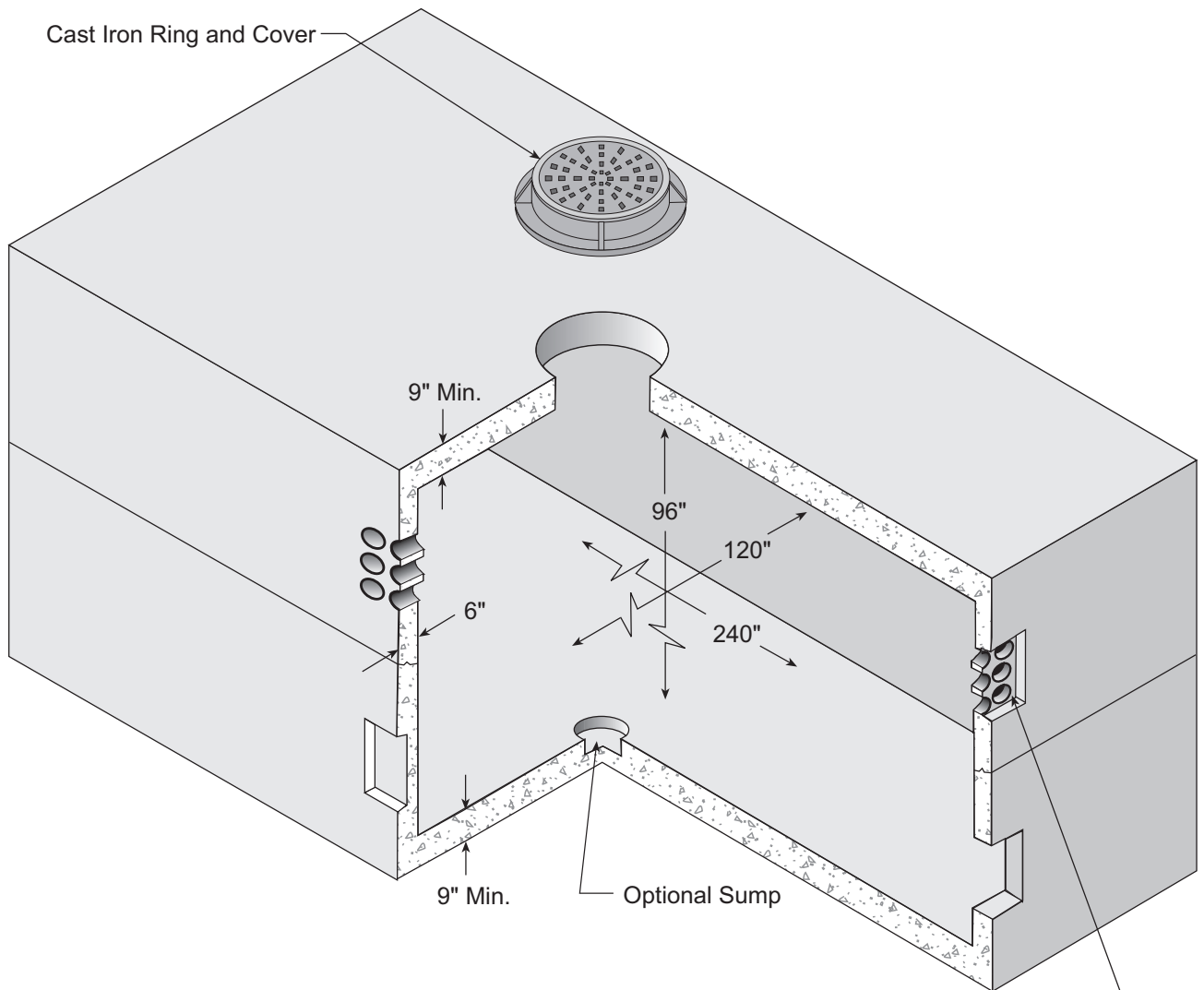


Precast Electrical Manholes



Terminators, Knockouts or Blockouts provided as req'd.

General Notes:

- Design in accordance with ACI 318, AASHTO current edition and ASTM C857 where applicable.
- Designed for HS-20-44 loading.
- Manhole to be placed on 6" base of gravel for even load distribution and ease of installation.
- MIN EXCAVATION
12' - 0" x 22' - 0" x Depth Required.

Materials

- CONCRETE: 5,500 PSI, 28 day compressive strength..
- STEEL: 60,000 psi yield strength ASTM A-615 Reinforcing Steel.
- Pull eyes, grounding rod hole & inserts for cable racks as required

-No Scale-
All dimensions subject to allowable specification tolerances.

TITLE	SECTION.PAGE	DATE
10' - 0" x 20' - 0" x 8' - 0" Manhole with 6" Walls (MH120240)	2.36	10/21/10

