

SECTION VIEW

WEIGHT / FT. = 4,000 LBS.

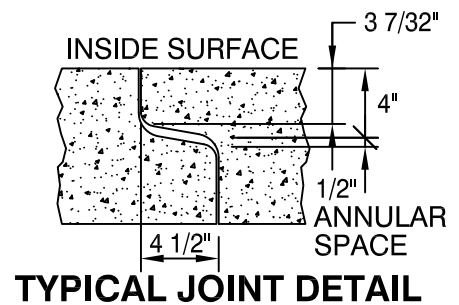
**LOADING, DESIGN METHODS AND MATERIALS
COMPLY WITH ASTM C789 or C850**

Standard laying length = 6'-0"

WWF ASTM A185, $f_y = 65$ KSI

Concrete Strength, $f'_c = 5$ KSI

Box culvert design and analysis is performed on the **BOX CAR** computer program.



TYPICAL JOINT DETAIL



10' x 7' SINGLE CELL, SQUARE CORNER BOX CULVERT

SCALE 1/2"=1'-0" DATE 6/16/16 DWG. NO.