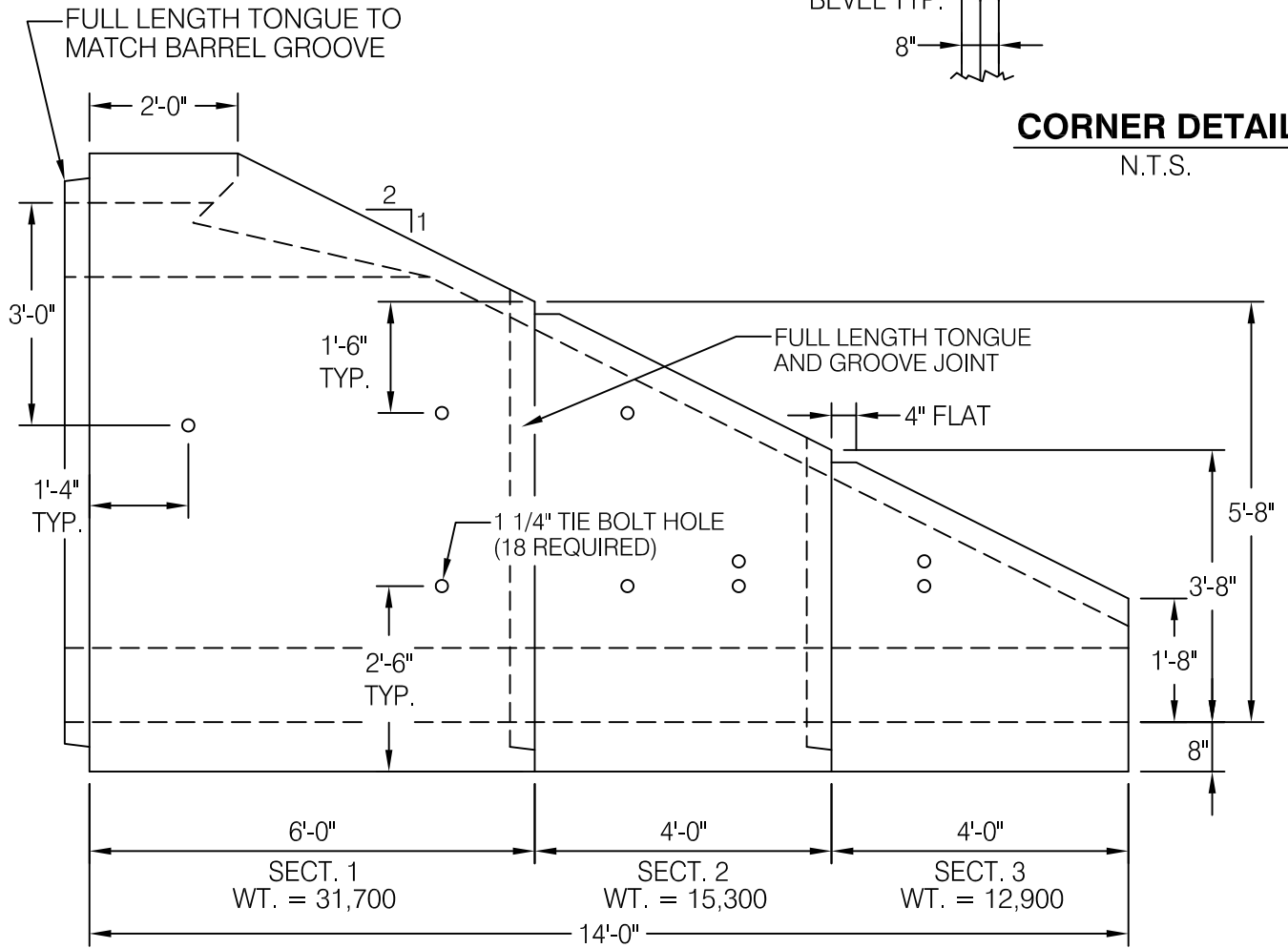
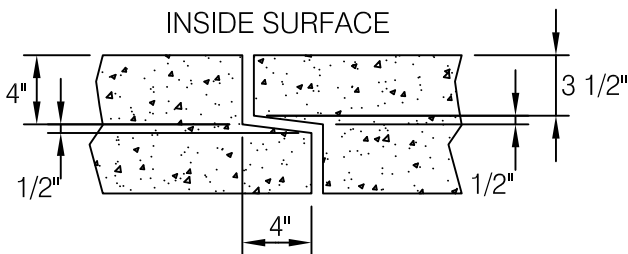


CORNER DETAIL
N.T.S.



SIDE VIEW



TYPICAL JOINT DETAIL



10' x 7' Double Cell Sloped End

SCALE 3/8"=1'-0" DATE 6/14/16 DWG. NO.