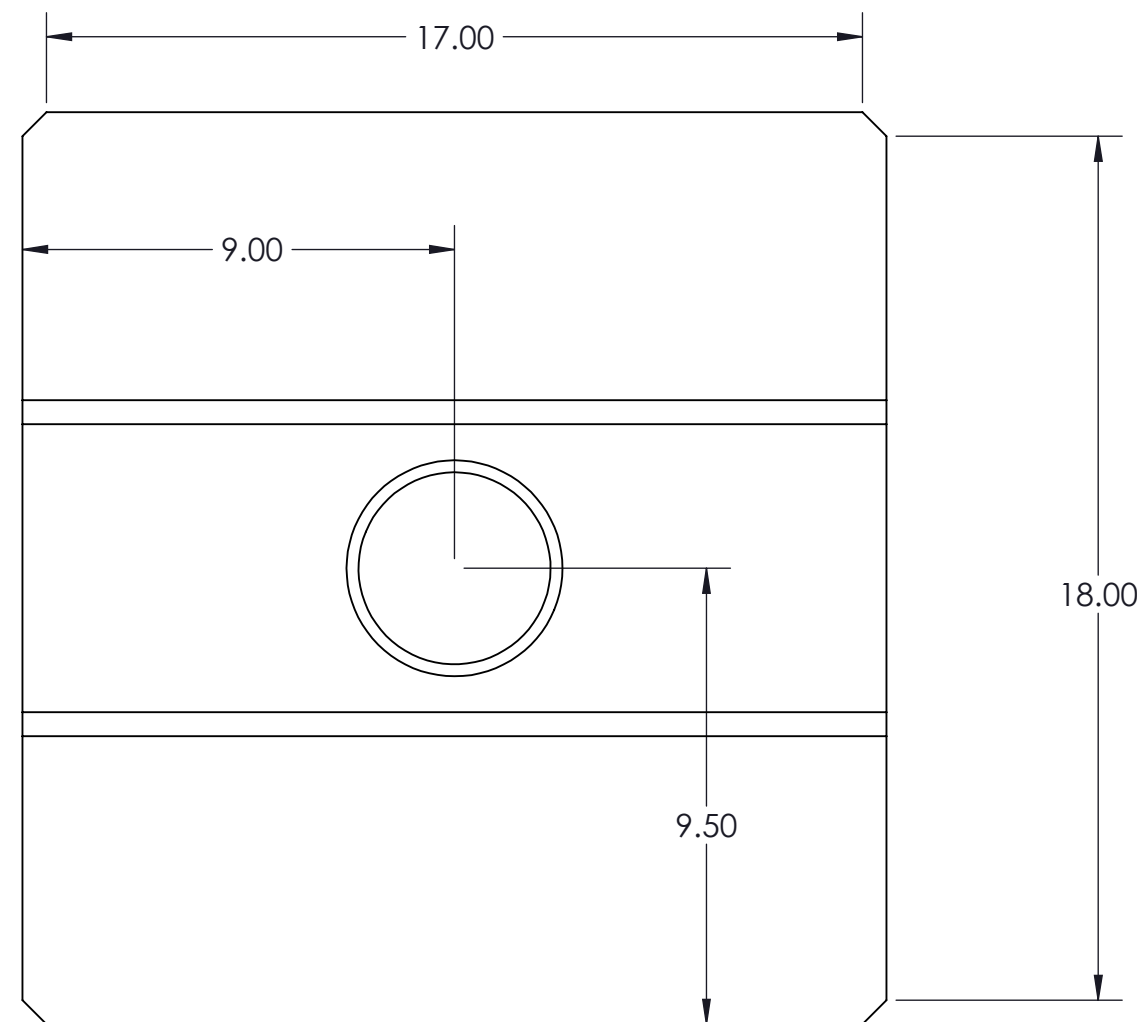
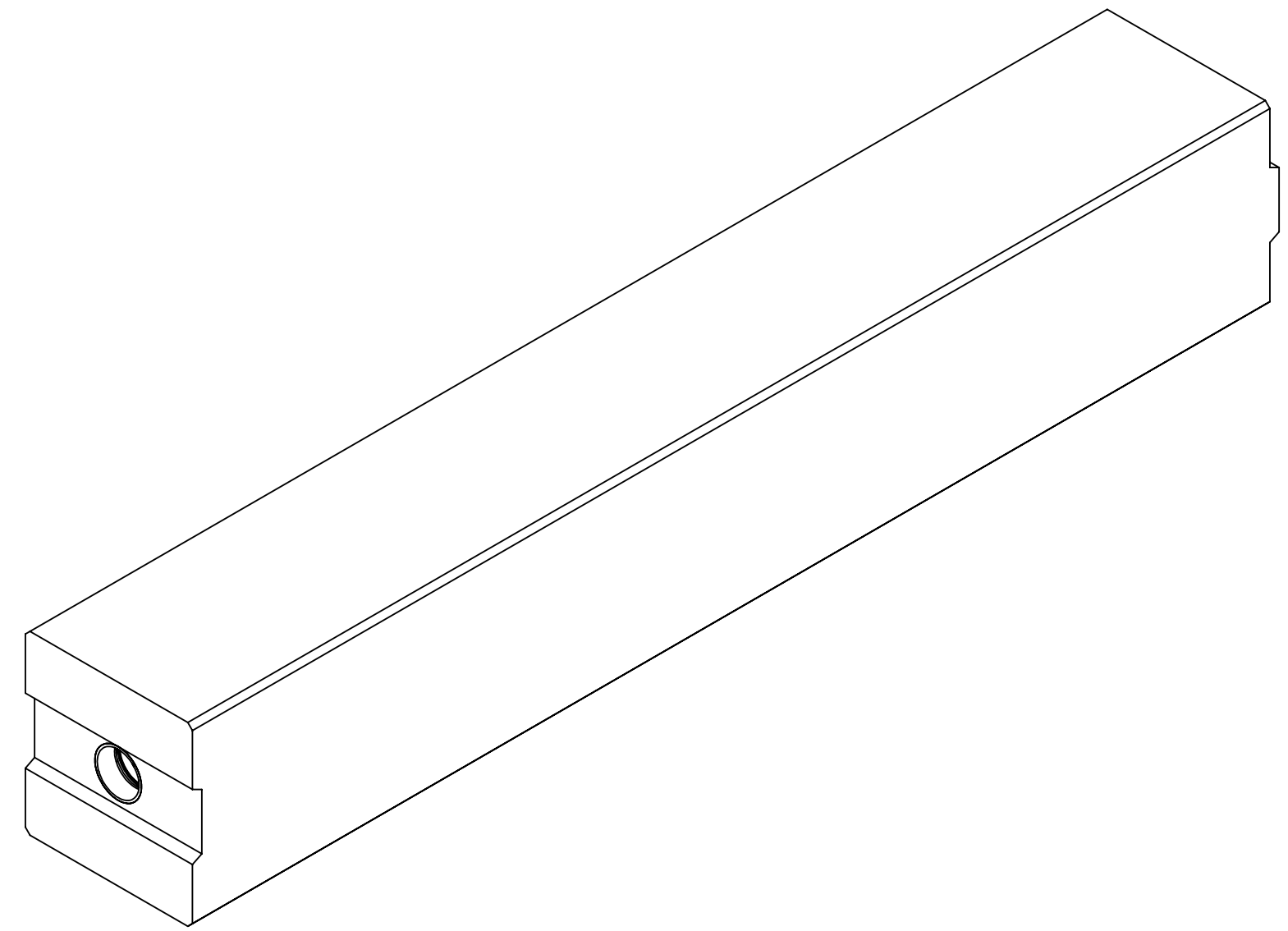
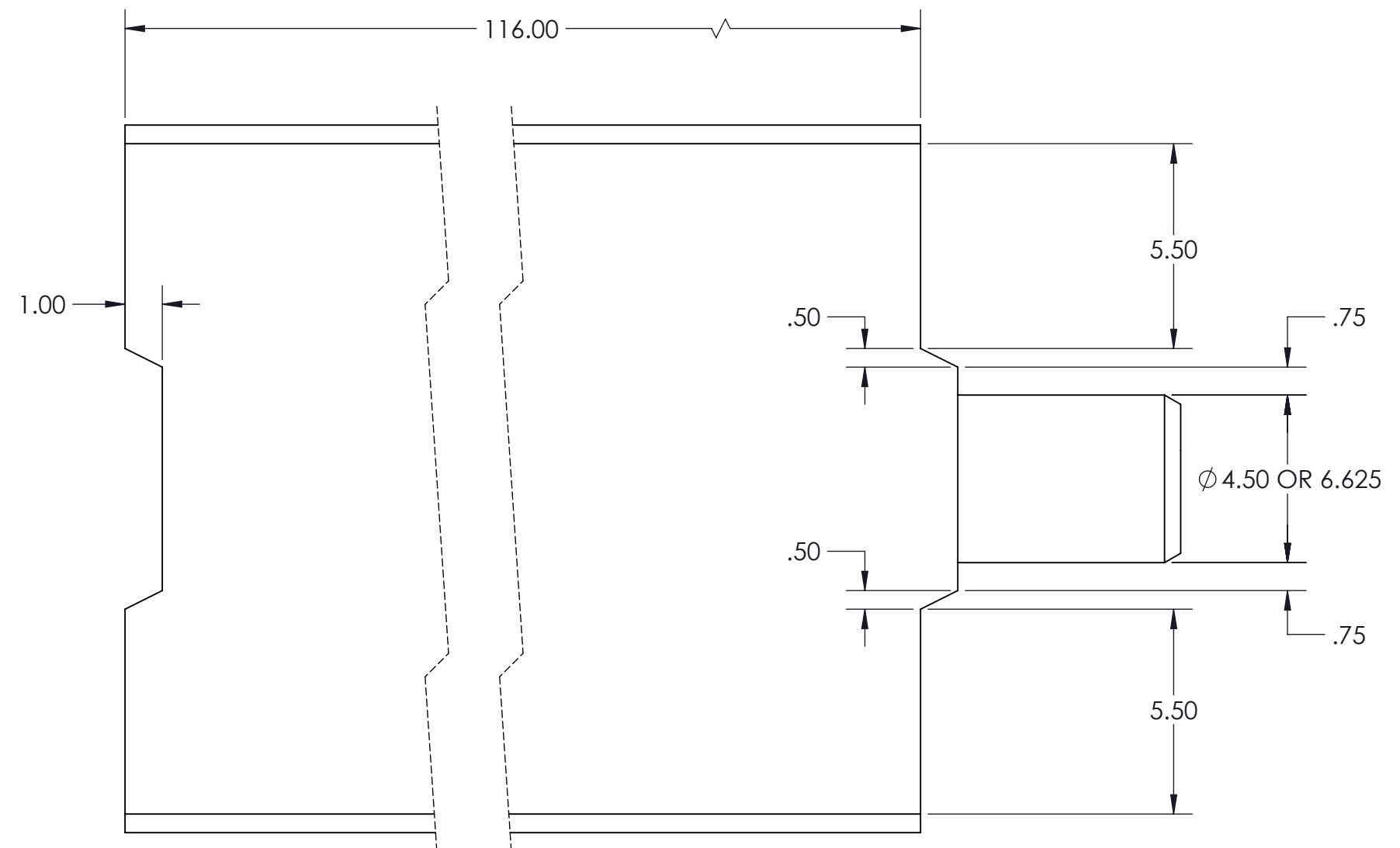


6" CONDUIT



4" CONDUIT



PRELIMINARY DRAWING
FOR
DESIGN APPROVAL
APPROVED BY _____ DATE _____
THIS DRAWING IS SUBMITTED FOR APPROVAL
BY THE CONTRACTOR AND/OR ENGINEER ONLY
AND IS NOT TO BE USED FOR FABRICATION
OR INSTALLATION



FORTERRA™ T: 763-545-7473 F: 763-416-1633

1-WAY PRECAST DUCT BANK
ADVANCED SHEAR KEY

DRAWING NUMBER

NA

PLANT: NA	SCALE:	DATE:
R/S	NA	APPROVED
CONTR.	NA	BY: MATTHEW C. PEARSON

REVISIONS

BY	DATE